

2-Electrode Spark Gap

GXP Series

Description

The GXP Series of 2-electrode spark gaps are gas discharge tubes, hermetically sealed in a glass/metal envelope. Tubes with a DC breakdown voltage in the range 0.50KV to 12 KV are available. This is signified by a numeral or numerals following the type letters and is expressed in hundreds of volts.



Applications

- I Single-shot pulse generators
- I Medical lithotripsy
- I Turbine engine ignition circuits
- I High energy switches

Electrical And Physical Characteristics

All ratings given in this data sheet are real solute, nonsimultaneous ratings. It is the equipment designer's responsibility to ensure that they are not exceeded. The spark gap life depends on circuit conditions such as peak discharge current and duration, charge transfer per discharge and the repetition rate.

Charge transfer, single discharge (8/20 ms waveshape)	0.5C max
Cumulative charge transfer	6000C at 0.81mC per discharge at 1 Hz
Operating temperature	-55 to +125°C
Mechanical shock, half-sine (to B.S. 2011 test Ea)	40g for 4ms
Mounting	screw mounted
Radioactivity	tritium (3H), 5.44 MBq (147 mCi) max per device

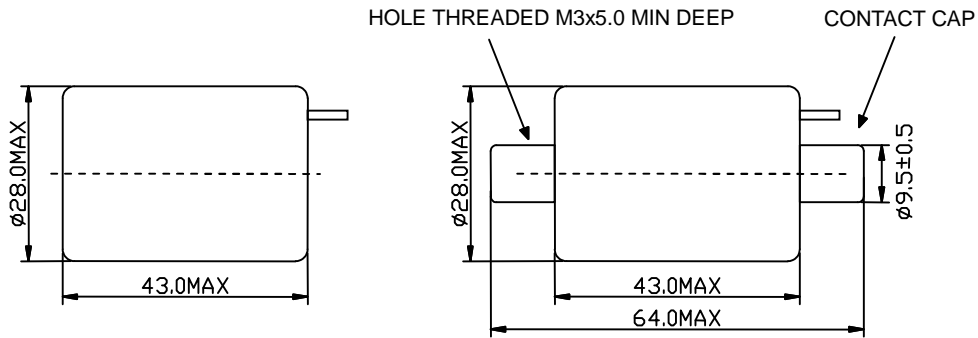
Electrical Characteristics

Type Number	DC Spark-Over Voltage	Max. Impulse Discharge Current(8/20 μ s)	Max. Energy Level	Min. Insulation Resistance	Max. Capacitance	Max. power
	V	KA	J	M Ω	pF	W
GXP05	500 \pm 10%	30	60	100	5	60
GXP10	1000 \pm 10%	30	60	100	5	60
GXP12	1200 \pm 10%	30	60	100	5	60
GXP14	1400 \pm 10%	30	60	100	5	60
GXP15	1500 \pm 10%	30	60	100	5	60
GXP16	1600 \pm 10%	30	60	100	5	60
GXP18	1800 \pm 10%	30	60	100	5	60
GXP20	2000 \pm 10%	30	60	100	5	60
GXP21	2100 \pm 10%	30	60	100	5	60
GXP22	2200 \pm 10%	30	60	100	5	60
GXP23	2300 \pm 10%	30	60	100	5	60
GXP24	2400 \pm 10%	30	60	100	5	60
GXP25	2500 \pm 10%	30	60	100	5	60
GXP26	2600 \pm 10%	30	60	100	5	60
GXP27	2700 \pm 10%	30	60	100	5	60
GXP28	2800 \pm 10%	30	60	100	5	60
GXP29	2900 \pm 10%	30	60	100	5	60
GXP30	3000 \pm 10%	30	60	100	5	60
GXP31	3100 \pm 10%	30	60	100	5	60
GXP32	3200 \pm 10%	30	60	100	5	60
GXP33	3300 \pm 10%	30	60	100	5	60
GXP34	3400 \pm 10%	30	60	100	5	60
GXP35	3500 \pm 10%	30	60	100	5	60
GXP40	4000 \pm 10%	30	60	100	5	60
GXP45	4500 \pm 10%	30	60	100	5	60
GXP50	5000 \pm 10%	30	60	100	5	60
GXP55	5500 \pm 10%	30	60	100	5	60
GXP60	6000 \pm 10%	30	60	100	5	60
GXP65	6500 \pm 10%	30	60	100	5	60
GXP70	7000 \pm 10%	30	60	100	5	60
GXP75	7500 \pm 10%	30	60	100	5	60
GXP80	8000 \pm 10%	30	60	100	5	60
GXP85	8500 \pm 10%	30	60	100	5	60
GXP90	9000 \pm 10%	30	60	100	5	60
GXP95	9500 \pm 10%	30	60	100	5	60
GXP100	10000 \pm 10%	30	60	100	5	60
GXP105	10500 \pm 10%	30	60	100	5	60
GXP110	11000 \pm 10%	30	60	100	5	60
GXP115	11500 \pm 10%	30	60	100	5	60
GXP120	12000 \pm 10%	30	60	100	5	60

2-Electrode Spark Gap

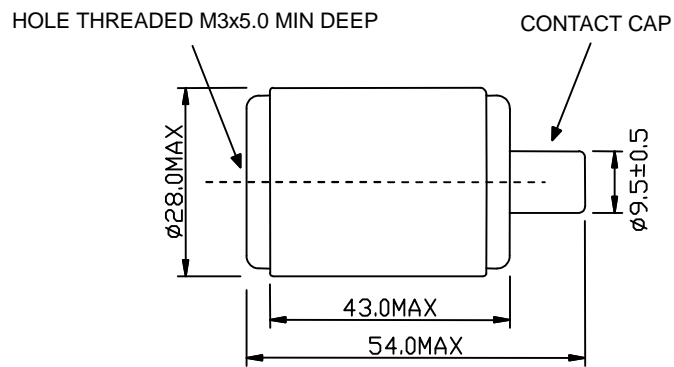
GXP Series

Dimensions(mm)



A Series

B Series



C Series