

SURGiNG

紹 鑫 實 業



Midget Fuse

新能源熔断器

EV10 Series



10x38 系列熔断器

10x38 High Speed Fuse



材料/Material:

Terminals: Tin plated copper
 Tube: Ceramic Tube
 Element: Silver alloy
 Filler: Silica Sand

工作温度:

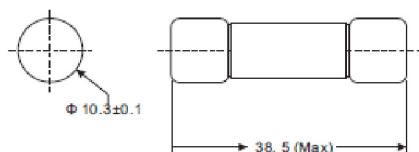
Operating Temperature:
 -55°C~+125°C

电气特性: Electrical Characteristics

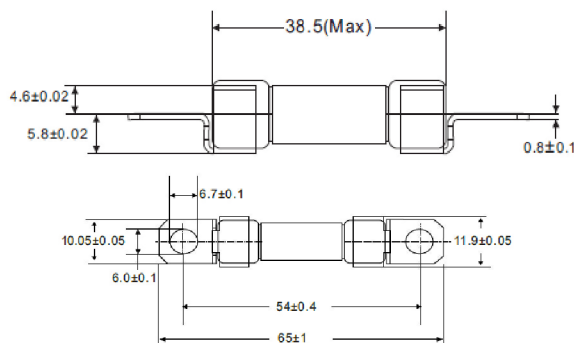
% Ampere Rating	Opening Time
100%	4Hours Min.
200%	300 Seconds Max.

产品尺寸· Dimension

圆筒帽形产品图示



带螺栓脚产品图示



目录编号/Catalog No.:

Type	Catalog No.	Rated Voltage	Current Range	Interrupting Rating	Certification
DC/AC	EV10V200	200VDC/AC	5-60A	15KA@200VDC	UL
	EV10V500	500VDC/AC	5-50A	10KA@500VDC	UL
	EV10V600	600VDC/AC	5-32A	10KA@700VDC	UL
	EV10V700	700VDC/AC	5-32A	10KA@700VDC	UL