



SurgeArresters

陶瓷气体放电管

SX4 Series

Gas Discharge Tubes - SX4 Series



GDT introduction: Gas discharge tubes (GDT) use noble gasses enclosed in ceramic tubes to provide an alternate circuit path for voltage spikes. The ceramic envelope and with nickel connectors allow for high loads and Surging offers products that function at 20KA, 40KA, 50KA, 60KA, 100KA & 150KA. The breakdown voltages of the devices have a wide range (up to 20% tolerance). Major applications are high frequency telecommunication lines, stations, security systems, HID and high quality Surge Protection Devices (SPD).

Features

- | | |
|------------------------------------|---|
| 1. RoHS & HF compliant | 5. Agency Recognition : UL/ cUL |
| 2. SMD Structure | 6. Operating temperature: -30°C ~ +85°C Storage |
| 3. DC Spark-over voltage: 75~2000V | temperature: -40°C ~ +115°C |
| 4. Low Capacitance | |

Recommended Applications

- | | |
|----------------|-------------------------|
| 1. Cable Modem | 5. Power supplier |
| 2. xDSL | 6. Consumer electronics |
| 3. Set-Top Box | |
| 4. TV sets | |

Part Number Code

SX4 - 230X

Series:

SX4系列: $\phi 3.5 \times 4.4 \times 4.4$
 S5系列: $\phi 5 \times 5$
 SXH8系列: $\phi 8 \times 6$

DC Line Voltage:

90X=90V
 230X=230V
 102X=1000V

Gas Discharge Tubes - SX4 Series

Electrical Characteristics

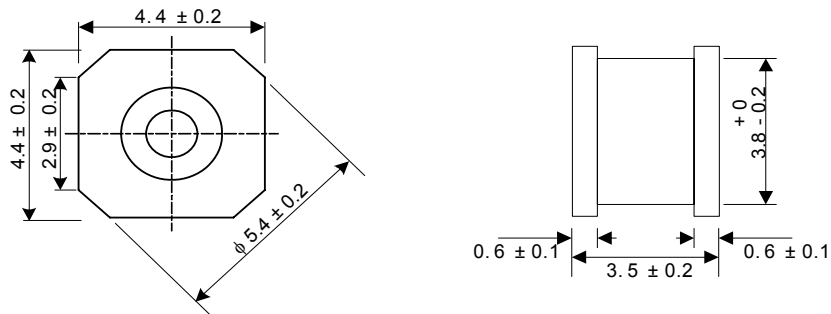
Part No.	DC Spark-over Voltage	Maximum Impulse Breakdown Voltage		Max. Impulse Discharge Current (8/20 μ s)		Impulse Life (10/1000 μ s)	Normal Alternating Discharge Current		DC Holdover Voltage	Minimum Insulation Resistance	Maximum Capacitance (1MHz)
		1KV/ μ S	1KV/ μ s	1 times	10 times		300 A	50Hz 1Sec			
	(V)	(V)	(V)	(KA)	Times	(A)		(V)	(G Ω)	(pF)	
SX4-75X	75 \pm 20%	700	800	5	3	300	3	6	52	1	0.5
SX4-90X	90 \pm 20%	700	800	5	3	300	3	6	52	1	0.5
SX4-150X	150 \pm 20%	600	800	5	3	300	3	6	80	1	0.5
SX4-230X	230 \pm 20%	600	700	5	3	300	3	6	150	1	0.5
SX4-250X	250 \pm 20%	600	700	5	3	300	3	6	150	1	0.5
SX4-300X	300 \pm 20%	600	700	5	3	300	3	6	150	1	0.5
SX4-350X	350 \pm 20%	650	800	5	3	300	3	6	150	1	0.5
SX4-400X	400 \pm 20%	700	800	5	3	300	3	6	150	1	0.5
SX4-470X	470 \pm 20%	800	900	5	3	300	3	6	150	1	0.5
SX4-600X	600 \pm 20%	900	1000	5	3	300	3	6	150	1	0.5
SX4-800X	800 \pm 20%	1300	1400	3	2	100	2	4	150	1	0.5
SX4-102X	1000 \pm 20%	1500	1600	3	2	100	2	4	150	1	0.5
SX4-122X	1200 \pm 20%	1700	1800	3	2	100	2	4	150	1	0.5
SX4-142X	1400 \pm 20%	1700	1800	3	2	100	2	4	150	1	0.5
SX4-152X	1500 \pm 20%	2000	2100	3	2	100	2	4	150	1	0.5
SX4-162X	1600 \pm 20%	2000	2100	3	2	100	2	4	150	1	0.5
SX4-182X	1800 \pm 20%	2500	2600	3	2	100	2	4	150	1	0.5
SX4-202X	2000 \pm 20%	2700	2600	3	2	100	2	4	150	1	0.5

DC Spark-over Voltage	DC Measuring Voltage
75-90V	50V
150-400V	100V
470-800V	250V
1000-2000V	500V

Gas Discharge Tubes - SX4 Series

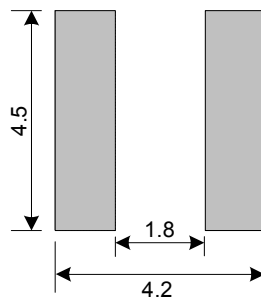
Dimension

Unit:mm



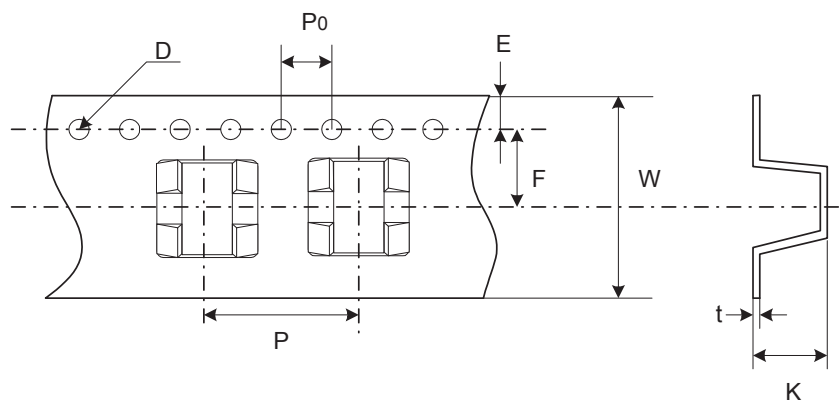
Recommended Pad Size

Unit:mm



Packaging Taping

Unit:mm

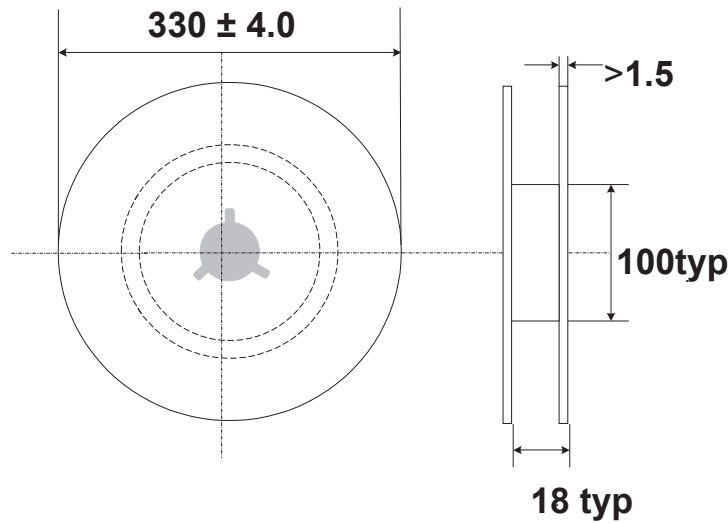


Gas Discharge Tubes - SX4 Series

Quantity: 900pcs per reel (13")

Unit:mm

Item	P	PO	W	F	E	D	K	t
Spec.	12.0	4.0	16.0	7.5	1.75	Φ1.55	4.6	0.5
Tolerance	±0.1	±0.1	±0.3	±0.1	±0.1	±0.05	+0.2,-0.1	±0.05



Warehouse Storage Conditions of Products

• Storage Conditions:

1. Storage Temperature: $-10^{\circ}\text{C} \sim +40^{\circ}\text{C}$
2. Relative Humidity: $\leq 75\% \text{RH}$
3. Keep away from corrosive atmosphere and sunlight.

• Period of Storage: 1 year