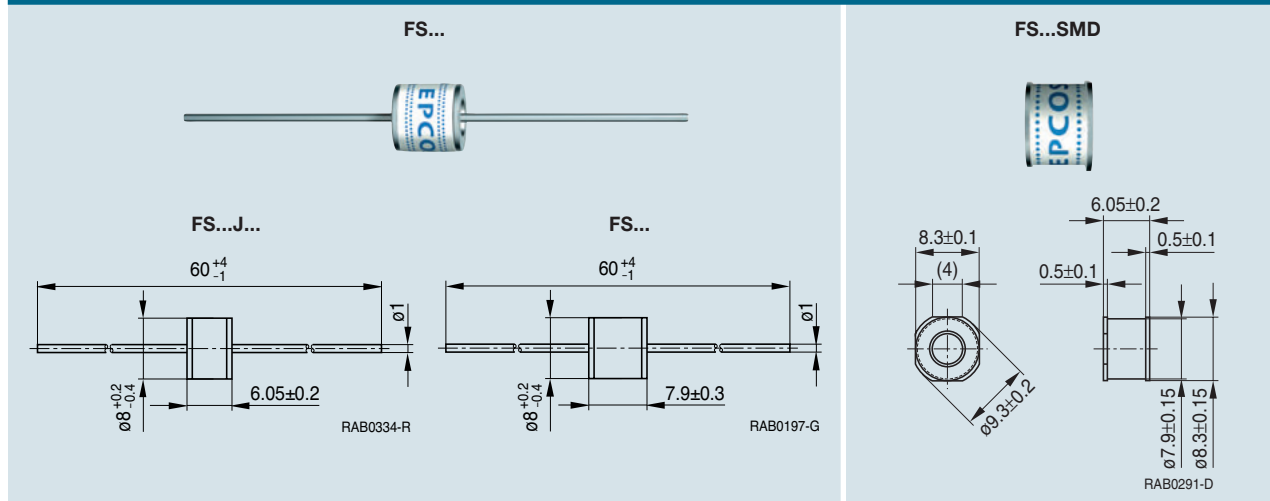


Switching Spark Gaps Schaltfunkenstrecken

High performance types



Type	FS04X-1JMG	FS06X-1NG	FS08X-1GH	FS08X-JMSMD	
Ordering code	B88069X0410T502	B88069X3660T502	B88069X0340T502	B88069X6891T602	
Nominal breakdown voltage	400	600	800	800	V
Static breakdown voltage, initial ¹⁾	350 ... 430	560 ... 680	704 ... 896	704 ... 896	V
Breakdown voltage during life ¹⁾	340 ... 460	540 ... 700	680 ... 920	680 ... 920	V
Breakdown time	≤ 50	≤ 50	≤ 50	≤ 50	ns
Switching operations @ 25 °C ²⁾	200000	40000	100000	380000	
Approx. discharge peak current ²⁾	500	1000	650	500	A
Operating temperature	-40 ... +125	-40 ... +125	-40 ... +150	-40 ... +170	°C
Insulation resistance	> 100	> 100	> 100	> 100	MΩ

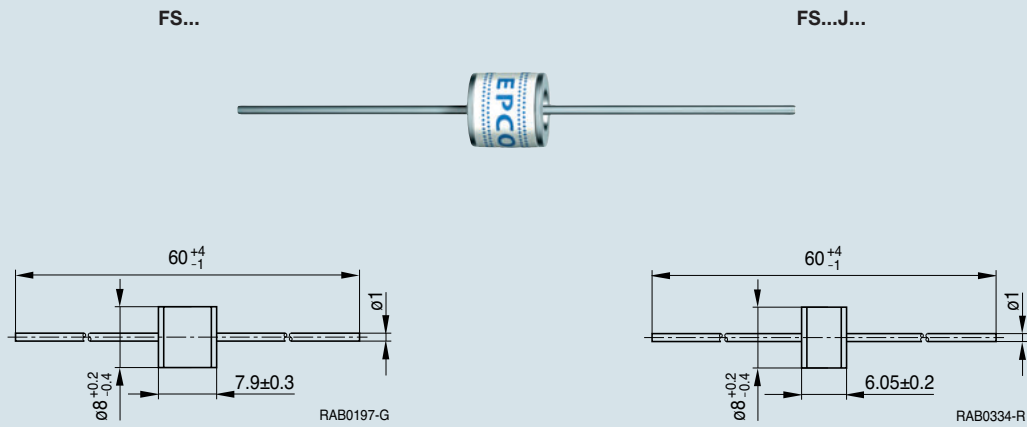
1) Ionized

2) Test circuit on request.

About packing see page 65.

Switching Spark Gaps Schaltfunkenstrecken

High performance types



Type	FS08X-1JG	FS08X-1JGS	FS08X-1JKS	FS1X-1G	FS5,5X-1	
Ordering code	B88069X3560T502	B88069X5980T502	on request	B88069X3450T502	B88069X3440S102	
Nominal breakdown voltage	800	850	850	1000	5500	V
Static breakdown voltage, initial ¹⁾	704 ... 920	748 ... 952	748 ... 952	900 ... 1130	4850 ... 6150	V
Breakdown voltage during life ¹⁾	680 ... 920	720 ... 980	730 ... 980	850 ... 1150	4000 ... 6600	V
Breakdown time	≤ 50	≤ 50	≤ 50	≤ 50	≤ 50	ns
Switching operations @ 25 °C ²⁾	200000	200000	500000	200000	5000	
Approx. discharge peak current ²⁾	400	650	650	400	200	A
Operating temperature	-40 ... +150	-40 ... +150	-40 ... +150	-40 ... +125	-40 ... +125	°C
Insulation resistance	> 100	> 100	> 100	> 100	> 100	MΩ

1) Ionized

2) Test circuit on request.

About packing see page 65.