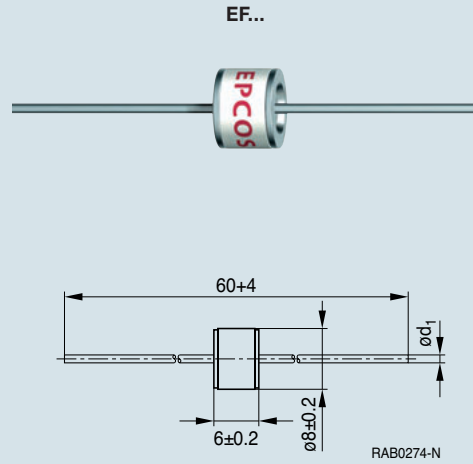


# 2-Electrode Arresters

## 2-Elektroden-Ableiter

Types with follow current  
5 kA / 5 A • Ø 8 x 6 mm



Type	EF270X	EF470X	EF800X	EF1500X	EF2500X	
Ordering code	B88069X4131S102	B88069X5080S102	B88069X2641S102	B88069X4301S102	B88069X5690T502	
Nom. DC spark-over voltage $V_{sdclN}$	270	470	800	1500	2500	V
Tolerance of $V_{sdclN}$	-15/+25	-15/+25	-15/+25	± 20	± 20	%
Impulse spark-over voltage						
@ 100 V/μs 99% of measured values	< 500	< 700	< 1200	< 1800	< 3700	V
@ 100 V/μs typical values	< 450	< 600	< 1000	< 1700	< 3300	V
@ 1 kV/μs 99% of measured values	< 550	< 800	< 1300	< 2000	< 4500	V
@ 1 kV/μs typical values	< 500	< 700	< 1100	< 1800	< 3700	V
Nom. alternating discharge current @ 50 Hz, 1 s	5	5	5	5	5	A
Alternating discharge current @ 50 Hz, 9 cycles	65	65	65	65	65	A
Nom. impulse discharge current 10 operations 8/20 μs	5	5	5	5	5	kA
Single impulse discharge current 1 operation 8/20 μs	10	10	10	10	10	kA
Max. follow current during one voltage half cycle @ 50 Hz	200	200	200	200	200	A
Insulation resistance	> 10	> 10	> 10	> 10	> 10	GΩ
Capacitance @ 1 MHz	< 1.5	< 1.5	< 1.5	< 1.5	< 1.5	pF
Lead diameter $d_1$	1.0	1.0	1.0	1.0	0.8	mm

About packing see page 65.