

DSANR 系列

特点

- 可在各种电源电路中使用。
- 某些型号已获得UL、TÜV认证。

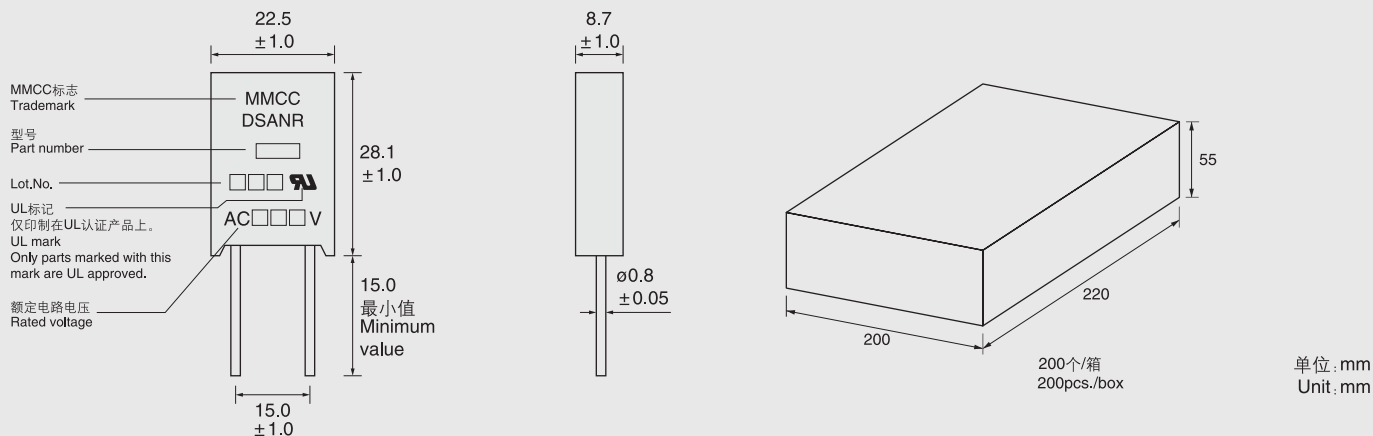
Features

- Used to protect power supplies.
- Some models are recognized by UL, TÜV.

型号构成 Part number system

DSANR		-	1	(UL)					(UL)	UL认证产品 UL Recognized
系列名 Series			略符 Abbreviation							
1	用于AC125V电源线之间 Between AC125V lines	4	用于AC125V电源线与接地之间 (用于AC1200V绝缘耐压试验) Between AC125V lines and ground (For AC 1200V withstanding voltage test)	6 A	用于AC250V电源线与接地之间 (用于AC1800V绝缘耐压试验) Between AC250V lines and ground (For AC 1800V withstanding voltage test)	10 B	用于AC250V电源线与接地之间 (用于AC2000V绝缘耐压试验) Between AC250V lines and ground (For AC 2000V withstanding voltage test)		无 None	非UL 认证产品 UL not Recognized
2	用于AC125V电源线与接地之间 Between AC125V lines and ground									
3	用于AC250V电源线之间或 电源线与接地之间 Between AC250V lines or between AC250 lines and ground	5	用于AC250V电源线与接地之间 (用于AC1500V绝缘耐压试验) Between AC250V lines and ground (For AC 1500V withstanding voltage test)	9	用于AC250V电源线与接地之间 (用于AC2000V绝缘耐压试验) Between AC250V lines and ground (For AC 2000V withstanding voltage test)					

形状尺寸及包装形式 Dimensions and packing form



特性 Characteristics

系列 Series	额定电压 Rated voltage	型 号 Part number	直流放电开始电压 DC spark-over voltage Vs	绝缘阻抗 Insulation resistance IR		静电容量 1kHz-6V max. Electrostatic capacitance 1kHz-6V max. C	浪涌耐量 8/20μsec. Surge current capacity 8/20μsec.	浪涌寿命 Surge life test.	AC耐电压 Withstanding voltage	UL规格认证产品 UL approved		EN认证 EN approved 3)
				100MΩmin.	DC100V					1)	2)	
DSANR	AC125V	DSANR-1	500V(400-600)			100MΩmin.	DC100V	2pF max.	1000A	8/20μsec. 100A 500 times	-	-
		DSANR-2	600V(480-720)	DC250V	-		-				○	-
		DSANR-2A	800V(640-960)	DC250V	-		-				-	-
		DSANR-2B	1100V(880-1320)	DC250V	-		-				-	-
		DSANR-4	2400V(1920-2880)	DC500V	AC1200V-3sec.		○				-	-
		DSANR-6	3600V(2880-4320)	DC500V	AC1800V-3sec.		-				-	-
	AC250V	DSANR-3	800V(640-960)	DC250V	-	-	○	-				
		DSANR-3A	1400V(1120-1680)	DC500V	-	-	-	-				
		DSANR-5	3000V(2400-3600)	DC500V	AC1500V-1min.	○	-	○				
		DSANR-6A	3600V(2880-4320)	DC500V	AC1800V-3sec.	-	-	○				
		DSANR-9	4000V(3200-4800)					AC2000V-1min.	-	-	○	
		DSANR-10B	4500V(3600-5400)		DC1000V			AC2000V-1min.	-	-	○	

1): UL Standard UL 1414 File No. E89615 (N)
 2): UL Standard UL 1449 File No. E70785 (S)
 3): DSANR has received recognition to EN132400 through TÜV.
 Report No. J9251508